

LOW VOLTAGE

NEW PRODUCT RELEASE

NOVEMBER 2012

LED STRIP LIGHTING

Low Voltage High quality 5050 LED strip light features 300 High output LED's per 5 meter length and 60 LEDs per meter.

Low Voltage LED strip lighting is highly reliable and extremely energy efficient. The 5050 LED Strip Lights can be cut every 3rd LED making them ideal for almost any application. Peel away the 3M brand self-adhesive tape and apply to any clean flat surface.

LV0091/24 LED STRIP LIGHT 5M

FEATURES:

- 300 5050 SMD LED's
- 24V Only
- Weather Proof
- 3M Adhesive Tape



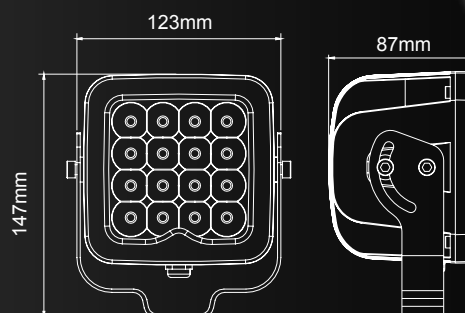
ZETA

INDUSTRIAL SPEC



LV0135 48 WATT LED LIGHT

- 16 x 3 Watt Osram LED's
- 10-30 Volt DC Input
- Die Cast Aluminium Housing
- Anodised Polyester Powder Coat Finish
- Heavy Duty 5mm Bracket
- Polycarbonate Lens
- Silicon Cable with Deutsch Connector
- Protected Against: RFI/EMC
Voltage & Current Surge
Reverse Polarity
- IP Rating: 68
- Lumens: 3520
- Beam Type: Compound
- Dimensions: 115 x 147 x 87mm
- Operating Temperature: -40°C to +60°C



**3520
LUMENS**